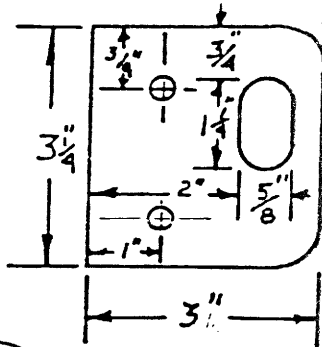
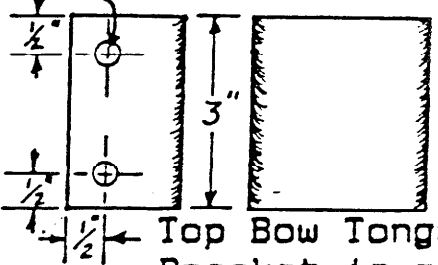


Original drawings by G. W. "Roy" Hamilton. These drawings should give you enough information to build a set of racks and bows.

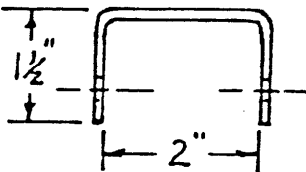
LATCH PLATE



1/4" HOLES

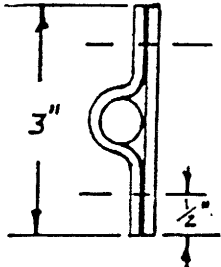


Top Bow Tongue Bracket is made of 3/32" steel.

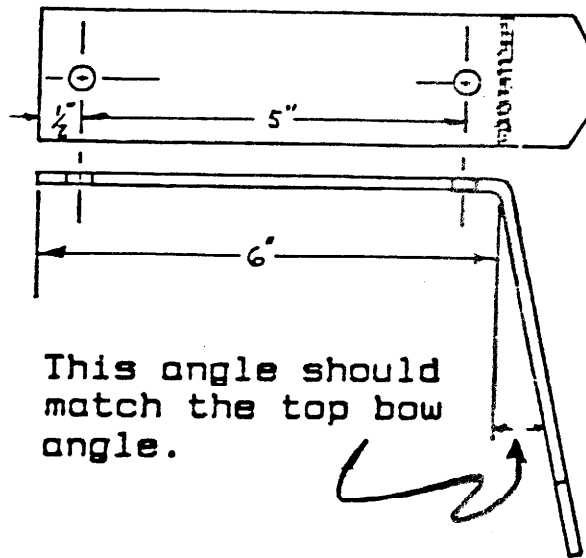
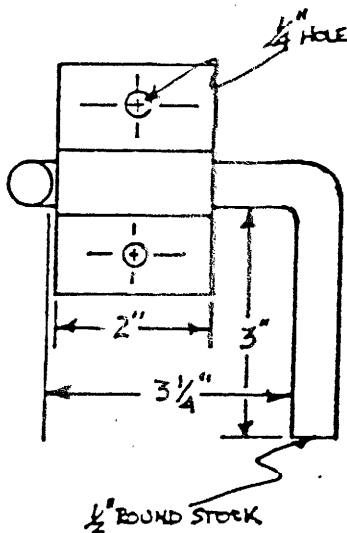


TOP BOW TONGUE BRACKET

es
op.
is
for

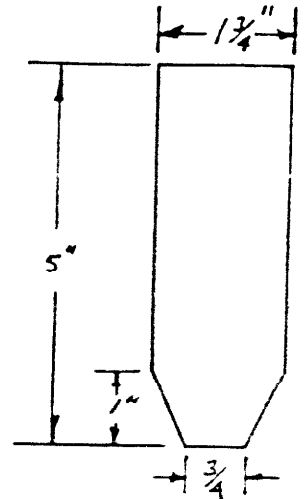


END RACK LATCH

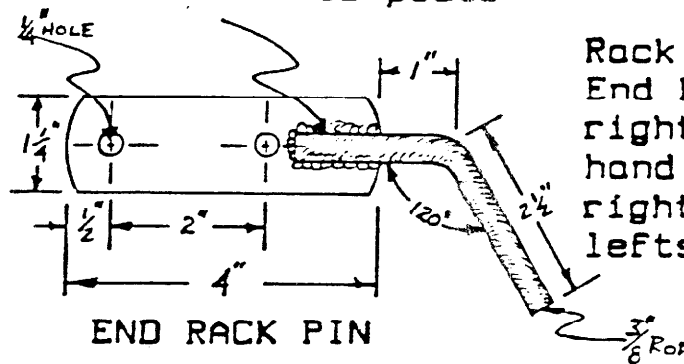


This angle should match the top bow angle.

TOP BOW END TONGUE

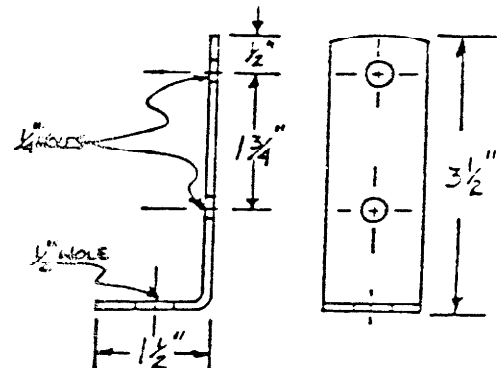


Weld rod to plate



END RACK PIN

Rack Pins and End Latches are right and left hand. Make two rights and two lefts of each.



END RACK PIN BRACKET

